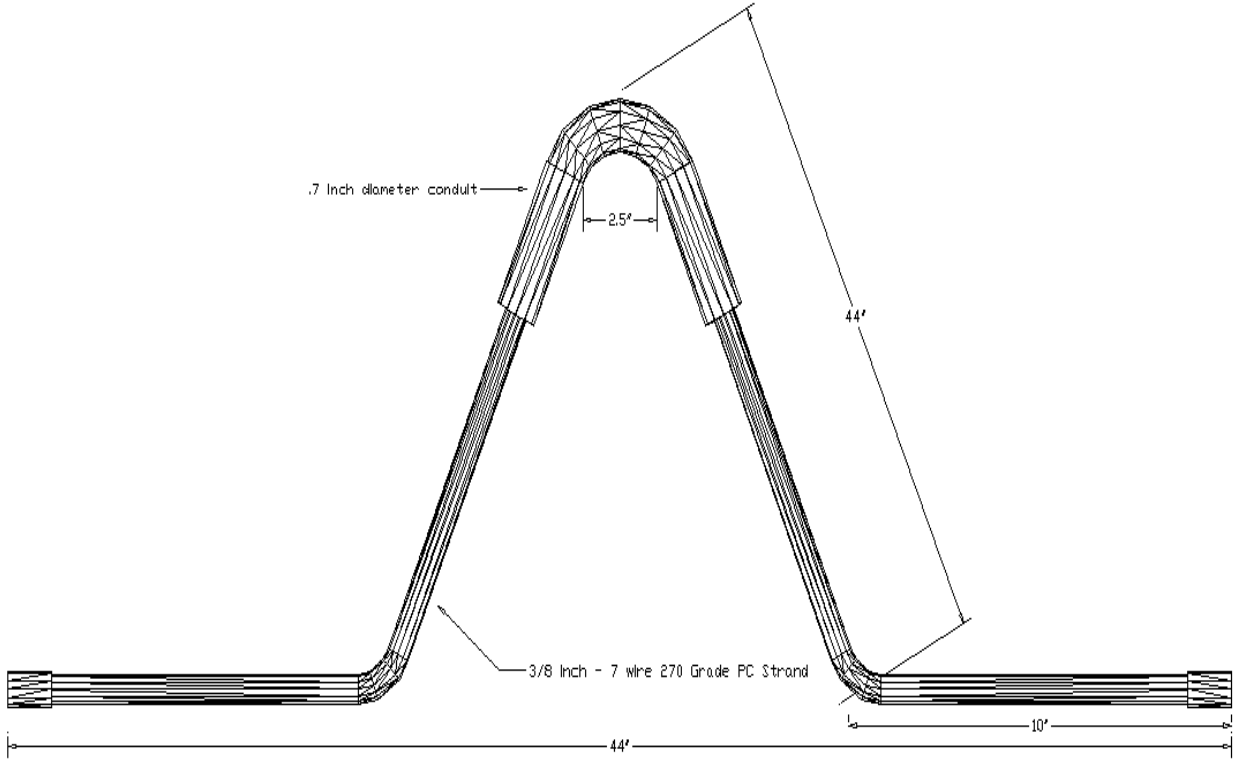


3/8" x 44"
ASC PULLING/LIFTING IRON
AMERICAN STEEL AND AMERICAN FABRICATED
Septic Tank Lifter
Item # 375-4400



LOAD RATING WAS ESTABLISHED WHEN PULLING/LIFTING IRON WAS EMBEDDED SO THAT 7 3/8" OF THE PULLING/LIFTING IRON PROJECTED ABOVE THE SURFACE OF 4000 PSI CONCRETE.

LOAD RATINGS COMPLY WITH OSHA 1926.704 (C) 4:1 SAFETY FACTOR

CONCRETE STRENGTH	**USE ONLY IN TENSION STRAIGHT UP PULL	TENSION STRAIGHT UP
4000 PSI	***	9,500 POUNDS



American Step Company, Inc.
P. O. Box 137
830 East Broadway
Griffin, GA 30224-0137

800-988-STEP
770-467-9844 (OFFICE)
770-467-8011 (FAX)
www.americanstep.com