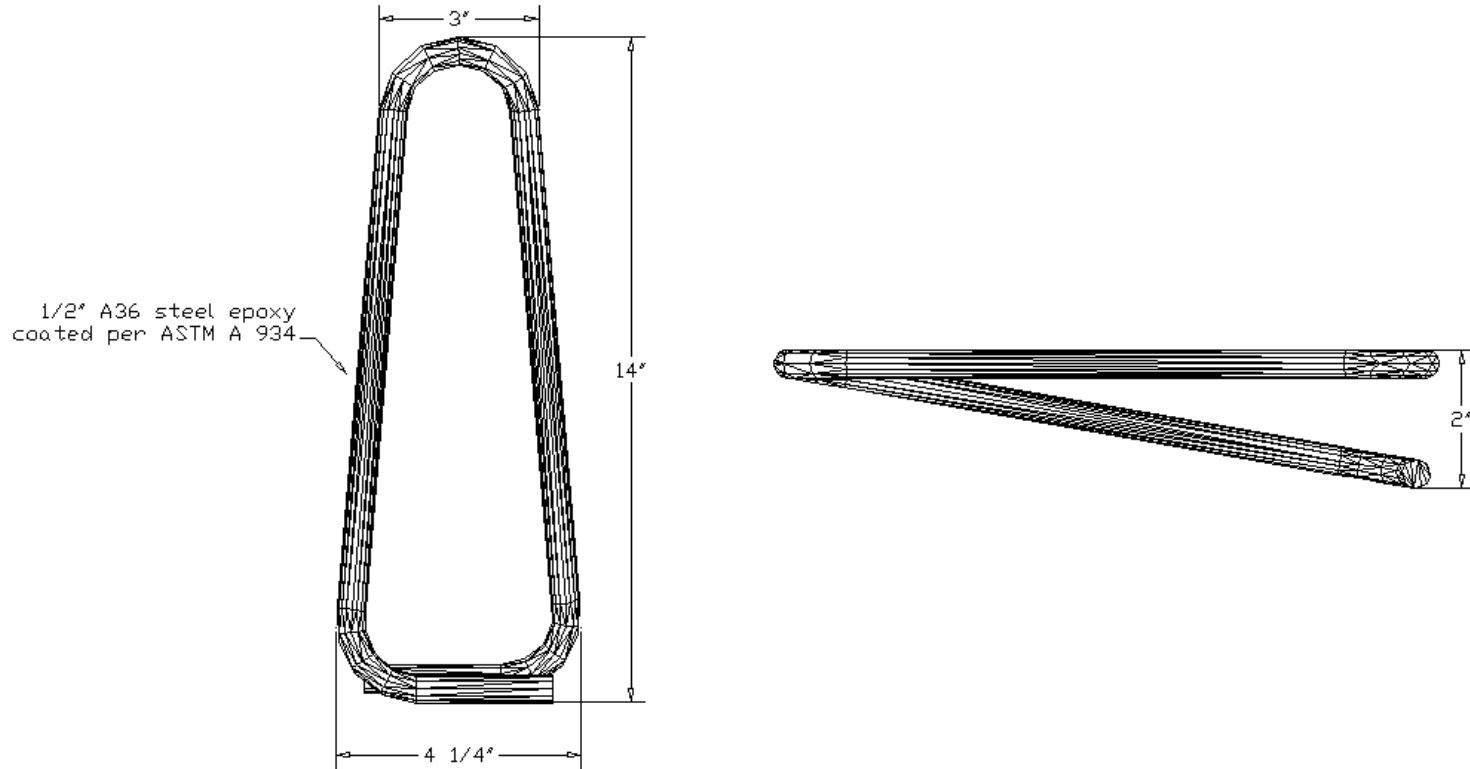


ASC 1/2" x 14"
SOLID LOOP LIFTER
EPOXY COATED PER ASTM A 934
(USA) DOMESTIC STEEL AND AMERICAN FABRICATED

ITEM # 500-140

PATENT # D615,849



OAD RATINGS WERE ESTABLISHED WHEN 1/2" SOLID LOOP LIFTER WERE EMBEDDED 7 3/4" INTO THE CONCRETE.*

LOAD RATINGS COMPLY WITH OSHA 1926.704 (C) 4:1 SAFETY FACTOR

CONCRETE STRENGTH	TENSION STRAIGHT UP	SHEAR 90 DEGREES
2000 PSI	5500 POUNDS	NOT TESTED
4000 PSI	6250 POUNDS	9500 POUNDS



American Step Company, Inc.
P. O. Box 137
830 East Broadway
Griffin, GA 30224-0137

800-988-STEP
770-467-9844 (OFFICE)
770-467-8011 (FAX)
www.americanstep.com