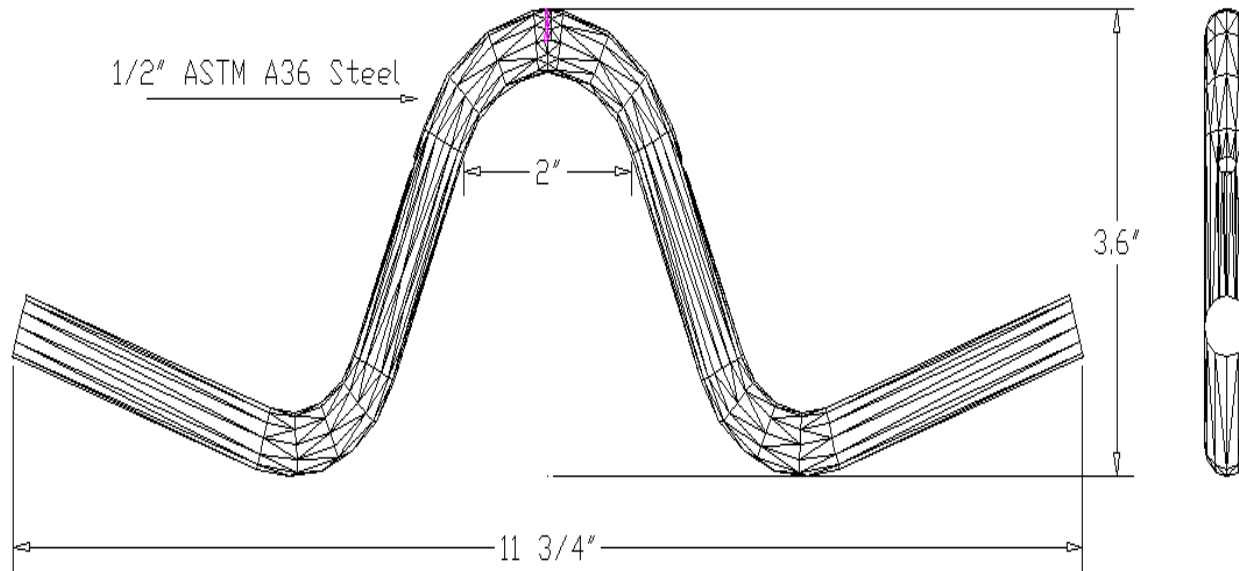


1/2" X 3.6" X 11 3/4"
ASC UTILITY ANCHOR
POWDER EPOXY COATED
(USA) DOMESTIC STEEL AND AMERICAN FABRICATED
ITEM # 500-360-1175



LOAD RATINGS WERE ESTABLISHED WHEN ANCHORS WERE INSTALLED IN RECESS POCKETS SO THAT THE TOP OF ANCHOR IS 3/4" RECESSED FROM CONCRETE SURFACE.*

LOAD RATINGS COMPLY WITH OSHA 1926.704 (C) 4:1 SAFETY FACTOR

Minimum Edge Distances: 6" Tension and 7" Shear

CONCRETE STRENGTH	SHEAR & TENSION
4,000 PSI	5,200 POUNDS



American Steel....American Made....American Step

American Step Company, Inc.
P. O. Box 137
830 East Broadway
Griffin, GA 30224-0137

800-988-STEP
770-467-9844 (OFFICE)
770-467-8011 (FAX)
www.americanstep.com