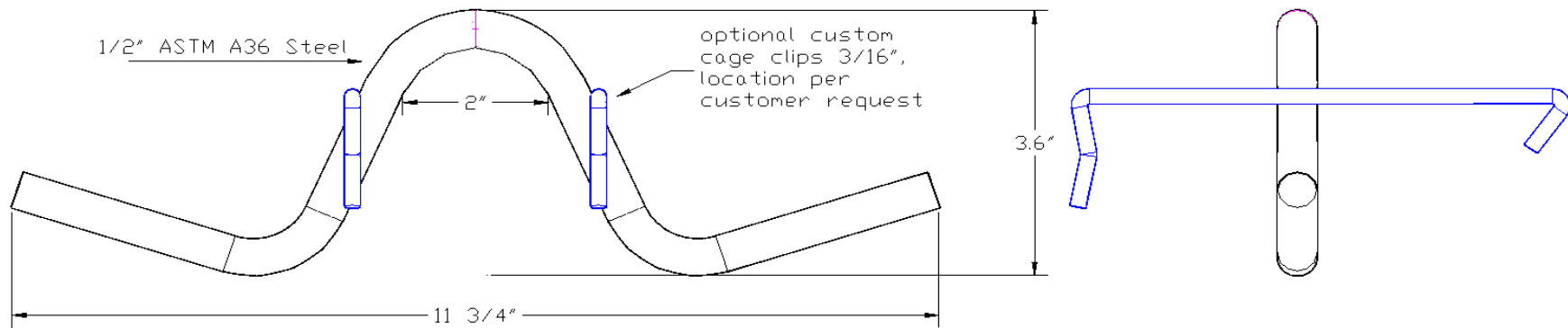


**1/2" X 3.6" X 11 3/4"**  
**ASC UTILITY ANCHOR**  
**WITH CAGE CLIPS**  
**POWDER EPOXY COATED**  
**(USA) DOMESTIC STEEL AND AMERICAN FABRICATED**  
**ITEM # 500-360-1176**



LOAD RATINGS WERE ESTABLISHED WHEN ANCHORS WERE INSTALLED IN RECESS POCKETS SO THAT THE TOP OF ANCHOR IS 3/4" RECESSED FROM CONCRETE SURFACE.\*

**LOAD RATINGS COMPLY WITH OSHA 1926.704 (C) 4:1 SAFETY FACTOR**

**Minimum Edge Distances: 6" Tension and 7" Shear**

CONCRETE STRENGTH	SHEAR & TENSION
<b>4,000 PSI</b>	<b>5,200 POUNDS</b>



*American Steel...American Made...American Step*

American Step Company, Inc.      800-988-STEP  
P. O. Box 137      770-467-9844 (OFFICE)  
830 East Broadway      770-467-8011 (FAX)  
Griffin, GA 30224-0137      [www.americanstep.com](http://www.americanstep.com)