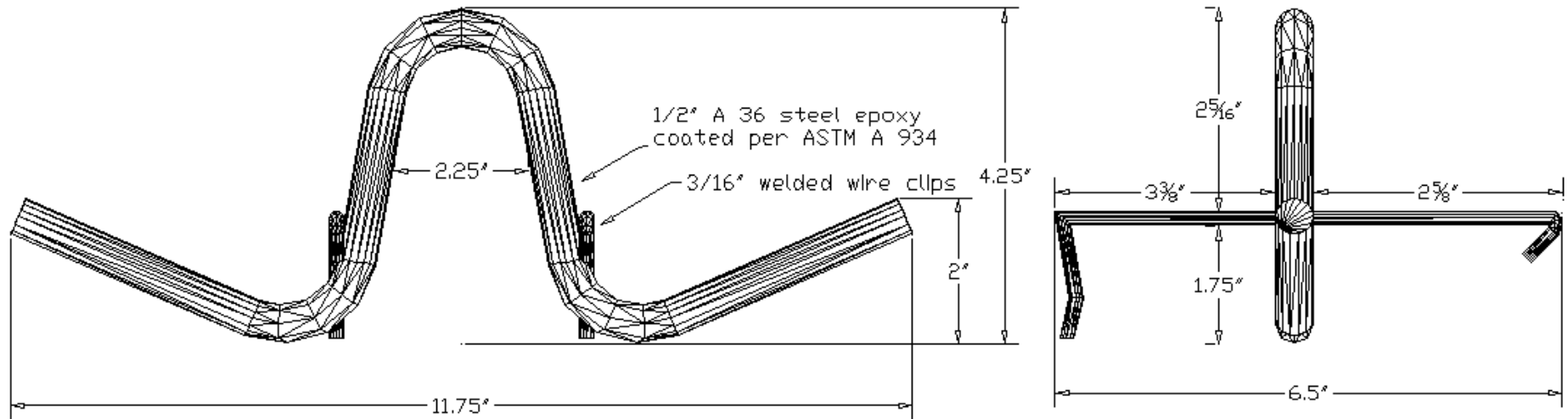


1/2" x 4 1/4" x 11 3/4"
ASC UTILITY ANCHOR
EPOXY COATED PER ASTM A 934
AMERICAN STEEL AND AMERICAN FABRICATED
ITEM # 500-425-1176



LOAD RATINGS WERE ESTABLISHED WHEN ANCHORS WERE INSTALLED IN RECESS POCKETS SO THAT THE TOP OF ANCHOR IS 3/4" RECESSED FROM CONCRETE SURFACE.*

LOAD RATINGS COMPLY WITH OSHA 1926.704 (C) 4:1 SAFETY FACTOR

CONCRETE STRENGTH	TENSION STRAIGHT UP	SHEAR 90 DEGREES
4,000 PSI	5,250 POUNDS	6,875 POUNDS



American Step Company, Inc.
P. O. Box 137
830 East Broadway
Griffin, GA 30224-0137

800-988-STEP
770-467-9844 (OFFICE)
770-467-8011 (FAX)
www.americanstep.com