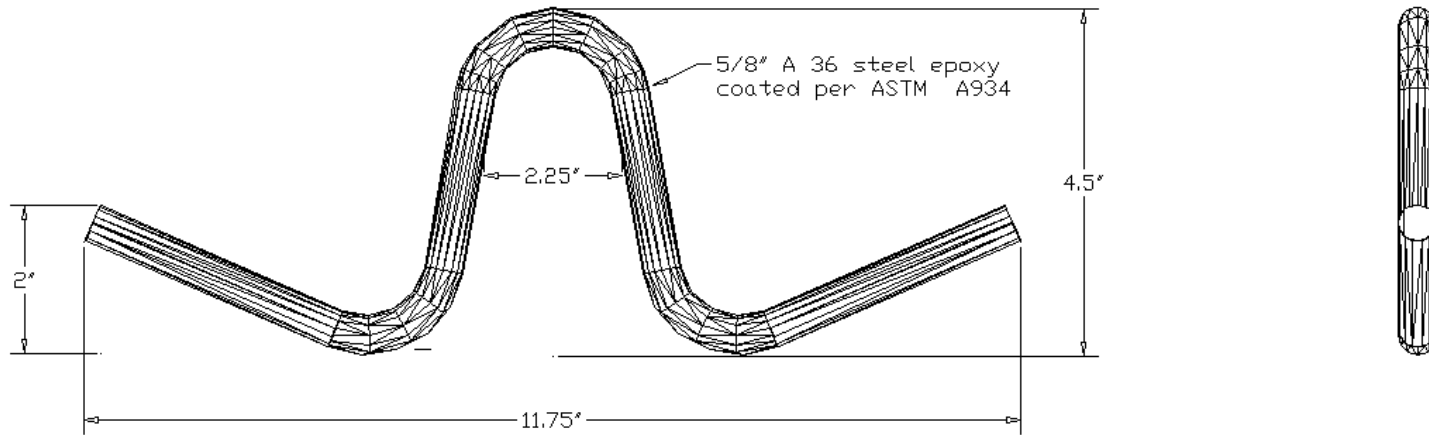


ASC 5/8" x 4 1/2" x 11 3/4" UTILITY ANCHOR
EPOXY COATED PER ASTM A 934
AMERICAN STEEL AND AMERICAN FABRICATED
(AVAILABLE WITH CLIPS)
ITEM # 625-450-1175 (NO CLIPS)



LOAD RATINGS WERE ESTABLISHED WHEN 5/8" x 4 1/2" x 11 3/4" UTILITY ANCHOR WAS CAST INTO THE CONCRETE BY MEANS OF A RECESS POCKET THAT PLACED THE TOP OF THE ANCHOR 3/4" FROM THE CONCRETE WALL OR SURFACE. TENSION LOAD WAS IN AN 12" WALL 18" DEEP, SHEAR LOAD WAS IN A 5" WALL X 24" TALL, ANCHOR WAS CENTERED OR 12" FROM TOP OF CONCRETE SURFACE.*

LOAD RATINGS COMPLY WITH OSHA 1926.704 (C) 4:1 SAFETY FACTOR

CONCRETE STRENGTH	TENSION STRAIGHT UP	SHEAR 90 DEGREES
4,000 PSI	6,445 POUNDS	10,000 POUNDS



American Step Company, Inc.
P. O. Box 137
830 East Broadway
Griffin, GA 30224-0137

800-988-STEP
770-467-9844 (OFFICE)
770-467-8011 (FAX)
www.americanstep.com